

THETFORD

SPARE PARTS LIST EXTERIOR

Index

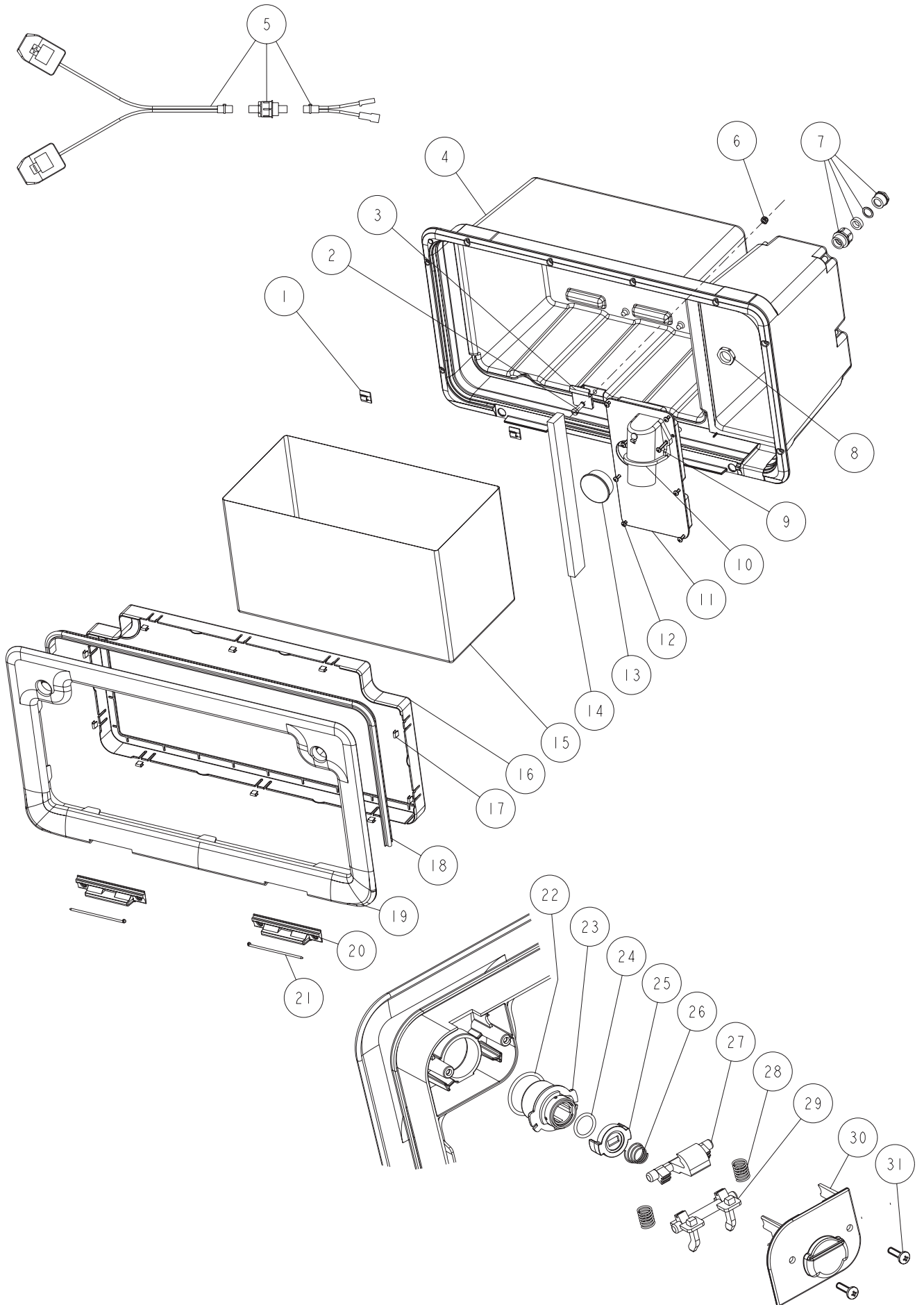
Battery Box/Wet-Locker Box

Doors

Vocabulary

Colour Index

Battery Box



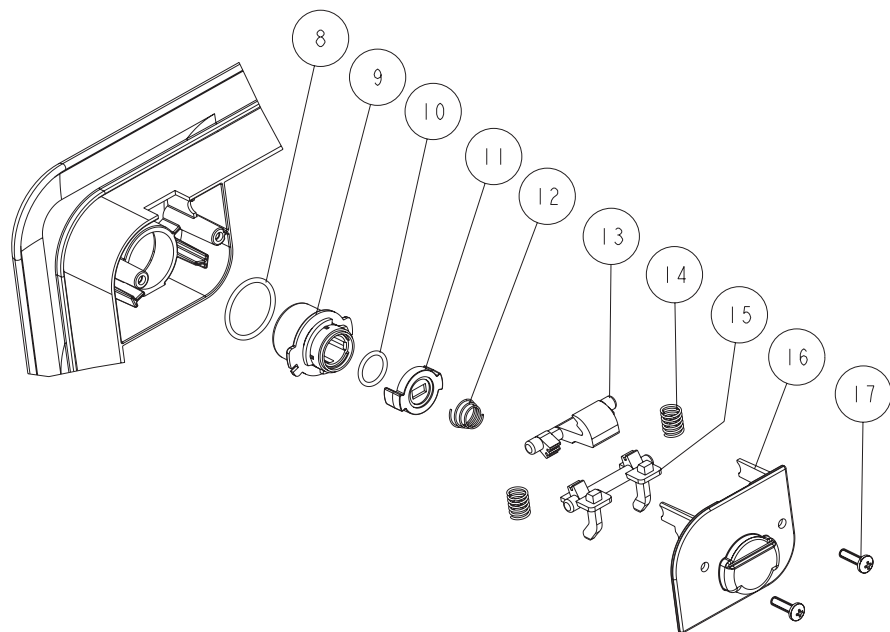
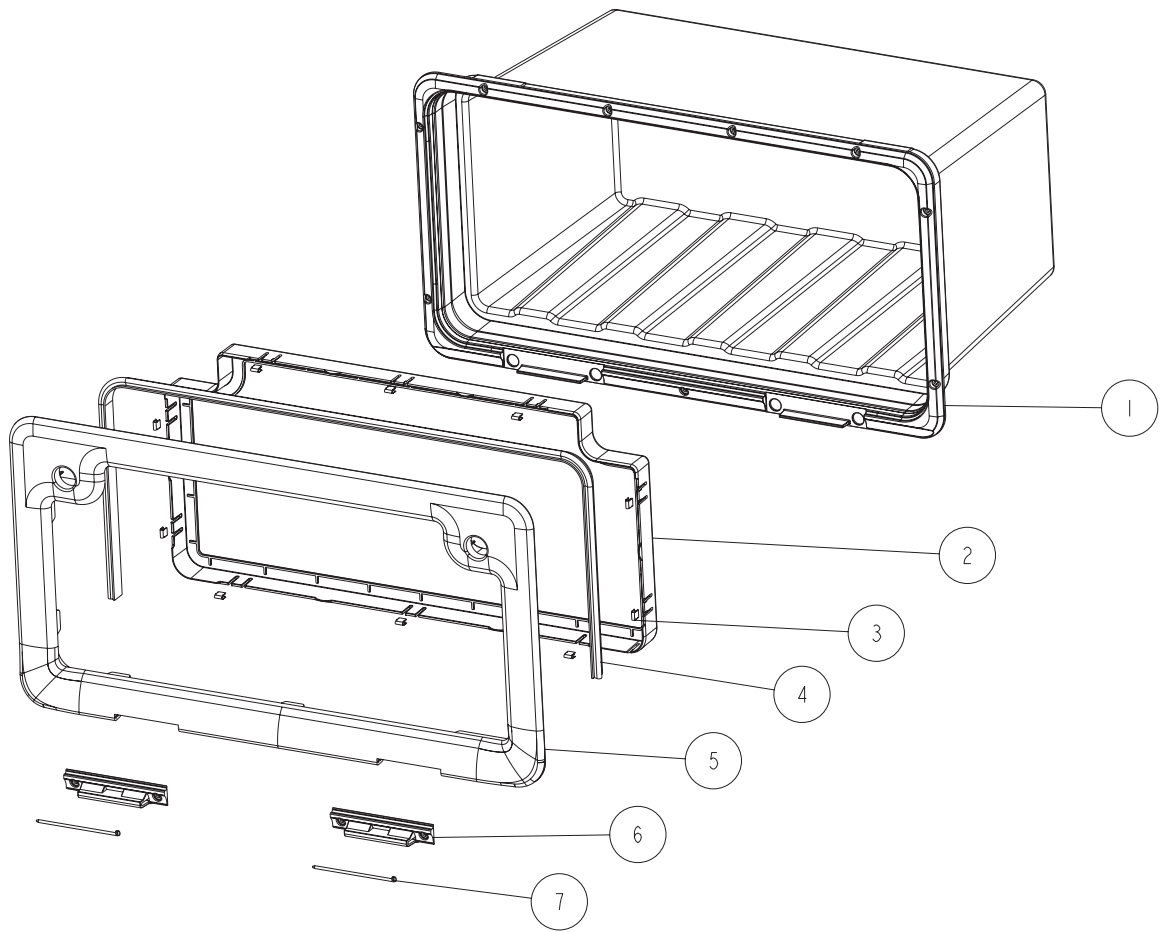
Battery Box

Single spare part number

Assembly spare part number

1	Hook (2x) (only with screw on battery terminals)	
2	Screw	
3	Clamping plate	
4	Battery Box	
5	12V Wire harness	
6	Nut	
7	Grommet PG 13,5	
8	Nut PG 13,5	
9	Screw (2x)	
10	CEE socket	
11	Mounting plate	
12	Screw (6x)	
13	Blind plug	
14	Foam divider	
15	Soft tray	26620
16	Door inner	
17	Door clip (10x)	
18	Door seal	
19	Door outer	
20	Hinge (2x)	
21	Hinge pin (2x)	26602
22	O-ring	
	Cylinder housing Zadi (2x)	26604 (-57, 58, 80, 84)
23	Cylinder housing Fawo 1 (2x)	26606 (-57, 80, 84)
	Cylinder housing Fawo 2 (2x)	26607 (-57, 84)
24	O-ring (2x)	
25	Pawl (2x)	
26	Spring (2x)	
27	Latch (2x)	
28	Spring (4x)	
29	Lever (2x)	
30	Black plate left Back plate right	
31	Screw (4x)	

Wet Locker Box



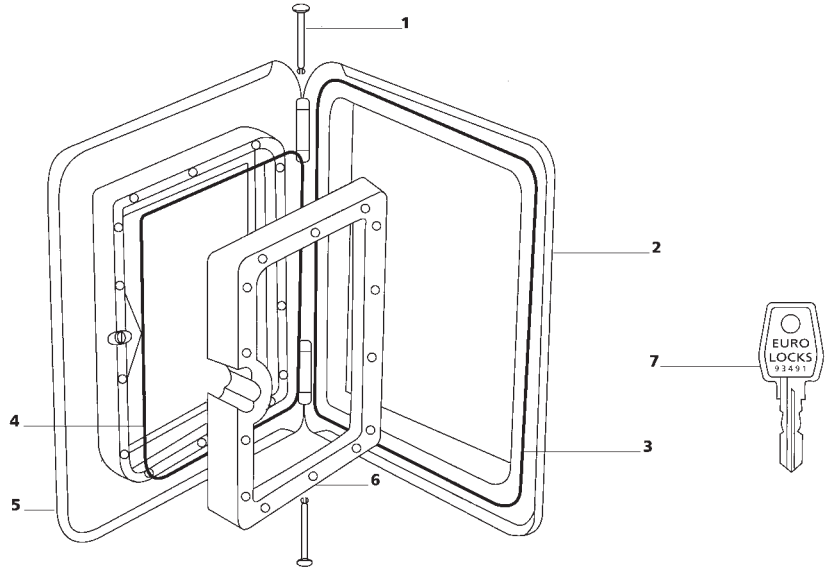
Wet Locker Box

Single spare part number

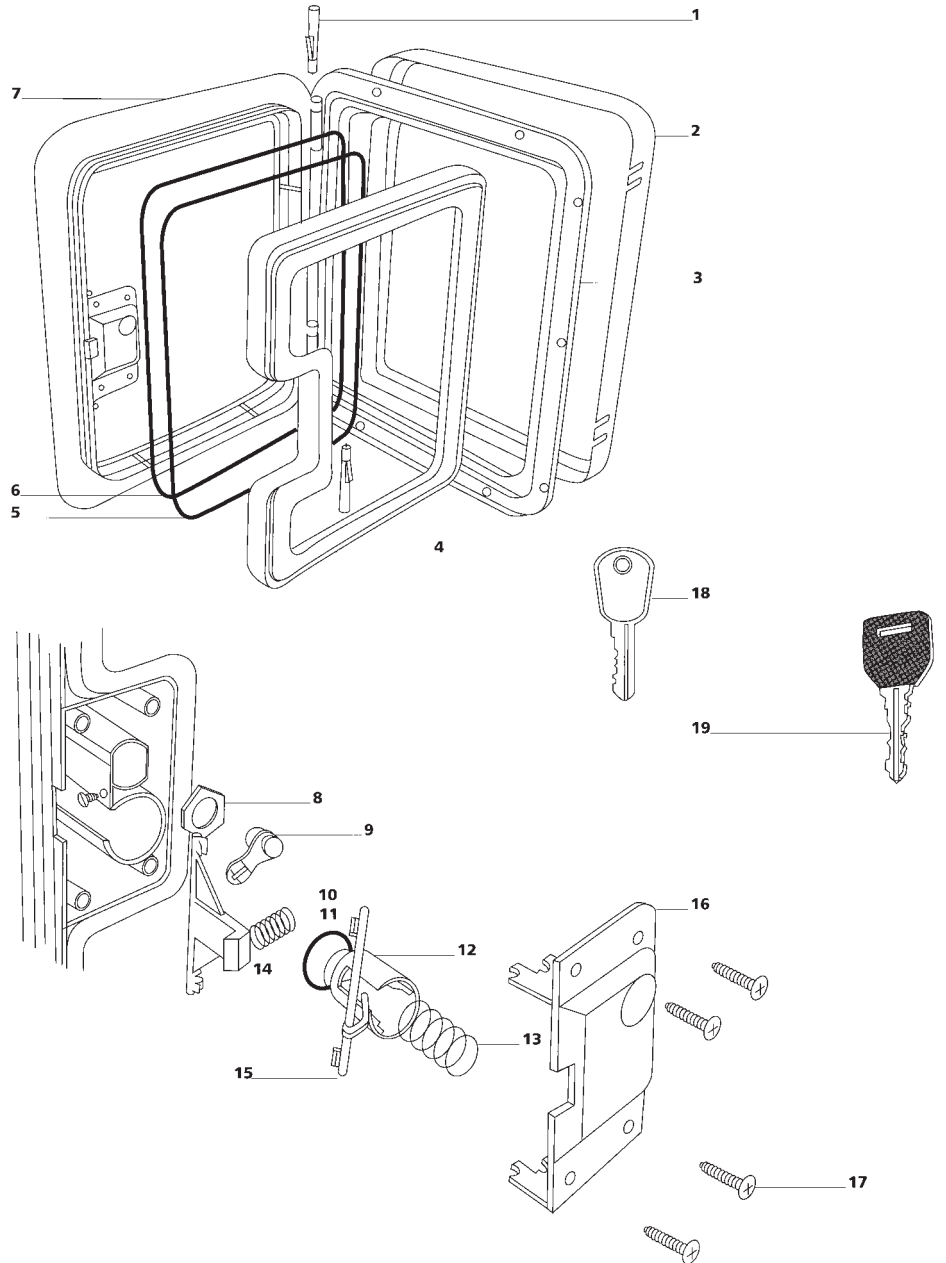
Assembly spare part number

1	Wet locker box		
2	Door inner		
3	Door clip (10x)		
4	Door seal		
5	Door outer		
6	Hinge (2x)		
7	Hinge pin (2x)	26602	
8	O-ring		
	Cylinder housing Zadi (2x)	26604 (-57, 58, 80, 84)	
9	Cylinder housing Fawo 1 (2x)	26606 (-57, 80, 84)	
	Cylinder housing Fawo 2 (2x)	26607 (-57, 84)	
10	O-ring (2x)		
11	Pawl (2x)		
12	Spring (2x)		
13	Latch (2x)		
14	Spring (4x)		
15	Lever (2x)		
16	Black plate left Back plate right		
17	Screw (4x)		

Door 1



Door 2



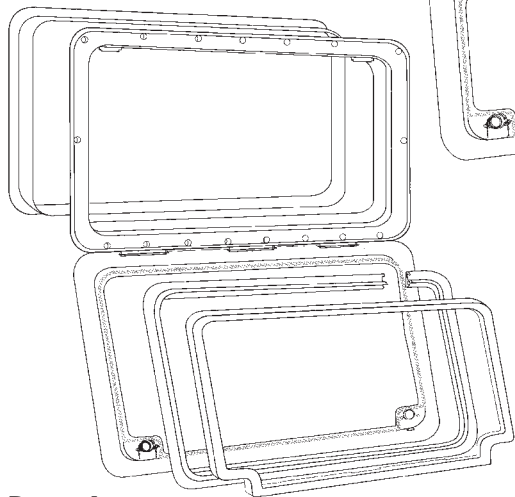
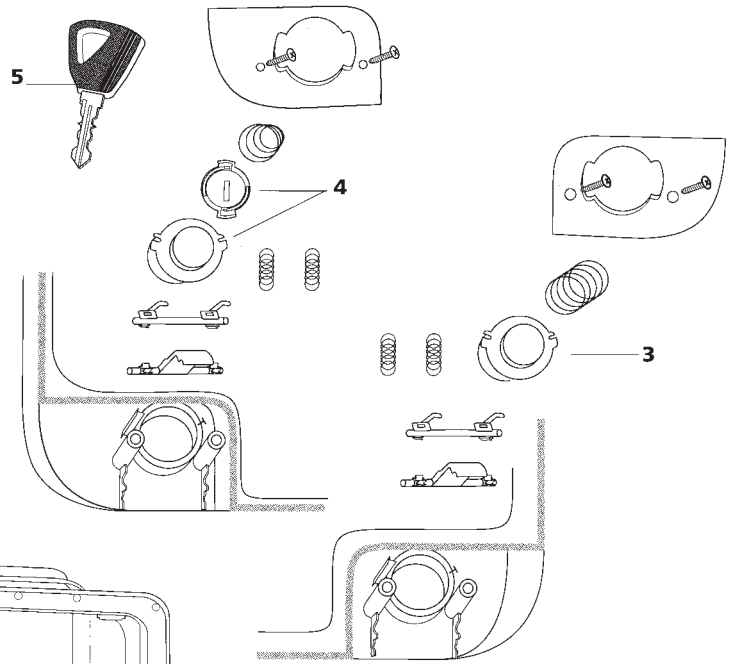
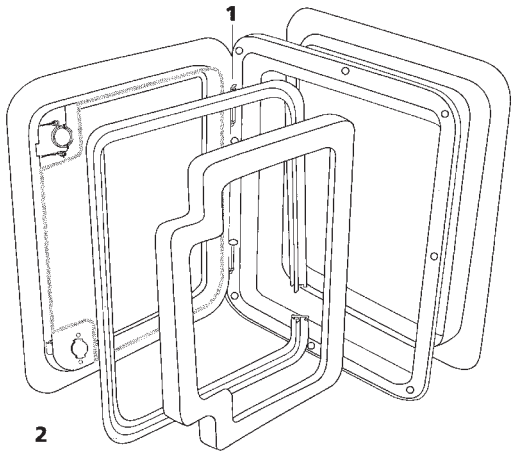
Door 1

	Single spare part number	Assembly spare part number
1	Hinge pin	
2	Frame outer	
3	Door seal	16766
4	Rope seal	
5	Door outer	
6	Door inner	
7	Key Eurolock	
<hr/>		
	Lock door 1 complete	16388 (-56, 57, 58)
	Lock cover	21000 (-56, 57)

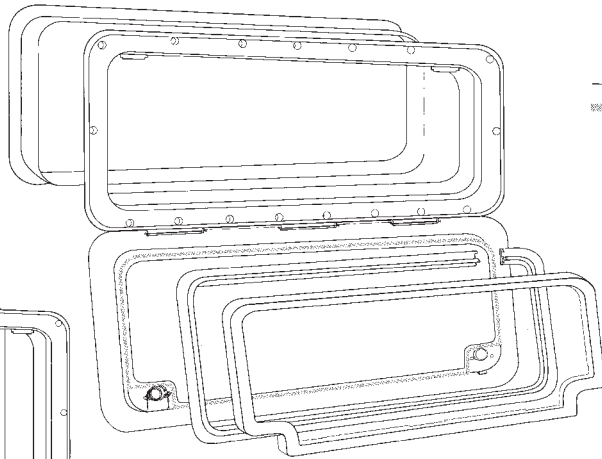
Door 2

	Single spare part number	Assembly spare part number
1	Hinge pin	16899
2	Frame sleeve	
3	Frame outer	
4	Door inner	
5	Door seal	21111
6	Triangle seal	
7	Door outer	
8	Housing nut	
9	Lock pawl	
10	Latch	
11	Spring	
12	Button	
13	Spring button	
14	O-ring	
15	Lever door	
16	Back plate	
17	Screw	
18	Key Oberholz	
19	Key Zadi	
<hr/>		
	Lock Oberholz complete	21108 (-56, 57, 58)
	Lock Zadi complete	16831 (-57, 58)
	Lock cover	21109 (-56, 57, 58)

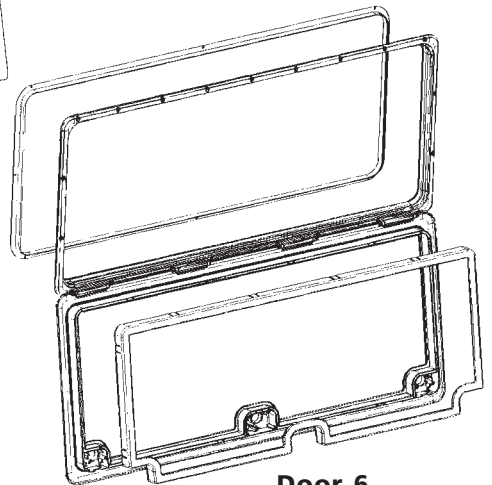
Door 3



Door 4



Door 5

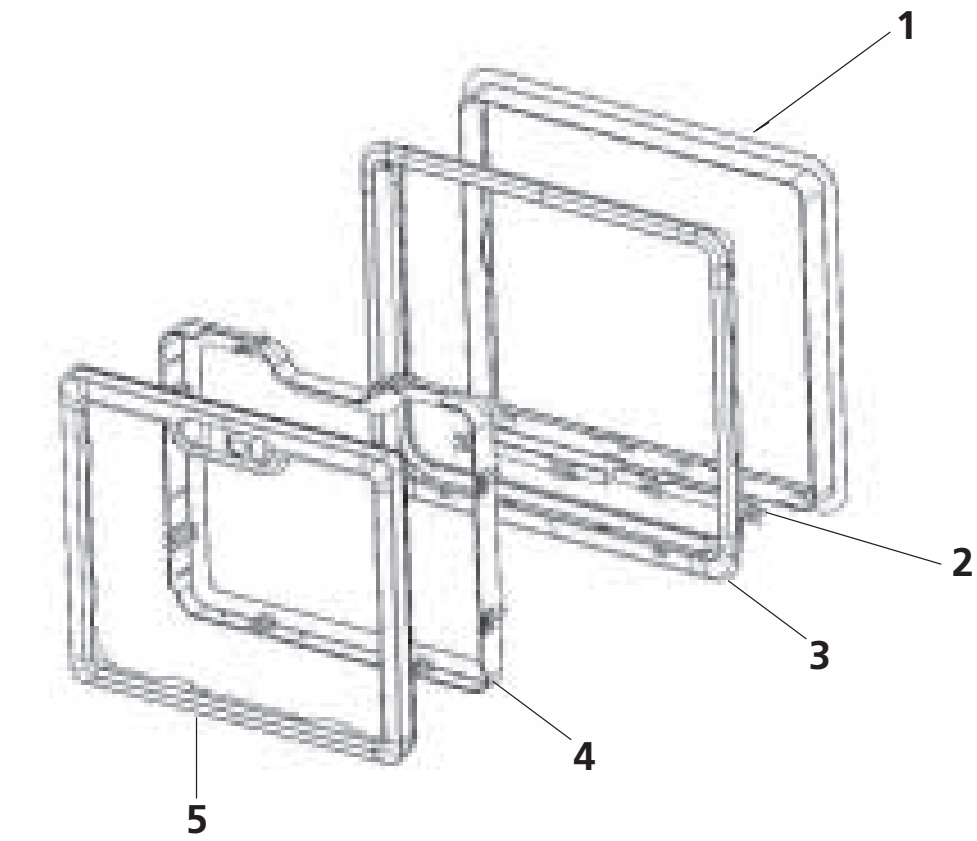


Door 6

Door 3, 4, 5 and 6

		Single spare part number	Assembly spare part number
1	Hinge pin	26602	
	Door seal 3	26601	
	Door seal 4	26605	
2	Door seal 5	26610	
	Door seal 6	26611	
3	Push button	26603 (-57, 58, 80, 84)	
	Lock Zadi	26604 (-57, 58, 80, 84)	
4	Button Fawo	26606 (-57, 80, 84)	
	Button Fawo 2	26608 (-57, 58, 80, 84)	
5	Door key Zadi		

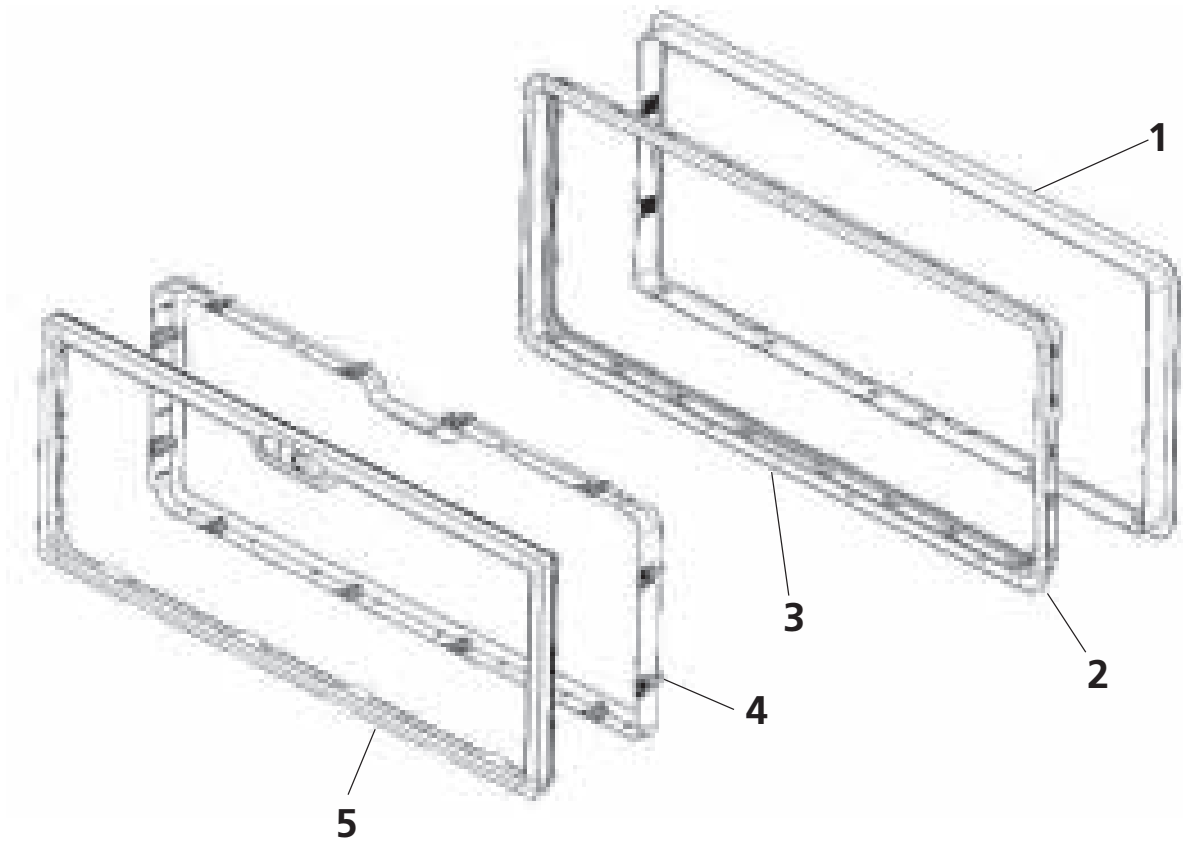
Flush door 3



Flush door 3

	Single spare part number	Assembly spare part number
1	Frame inner	
2	Hinge pin	26430
3	Frame outer	
4	Door inner	
5	Door outer	
	Door seal	26901

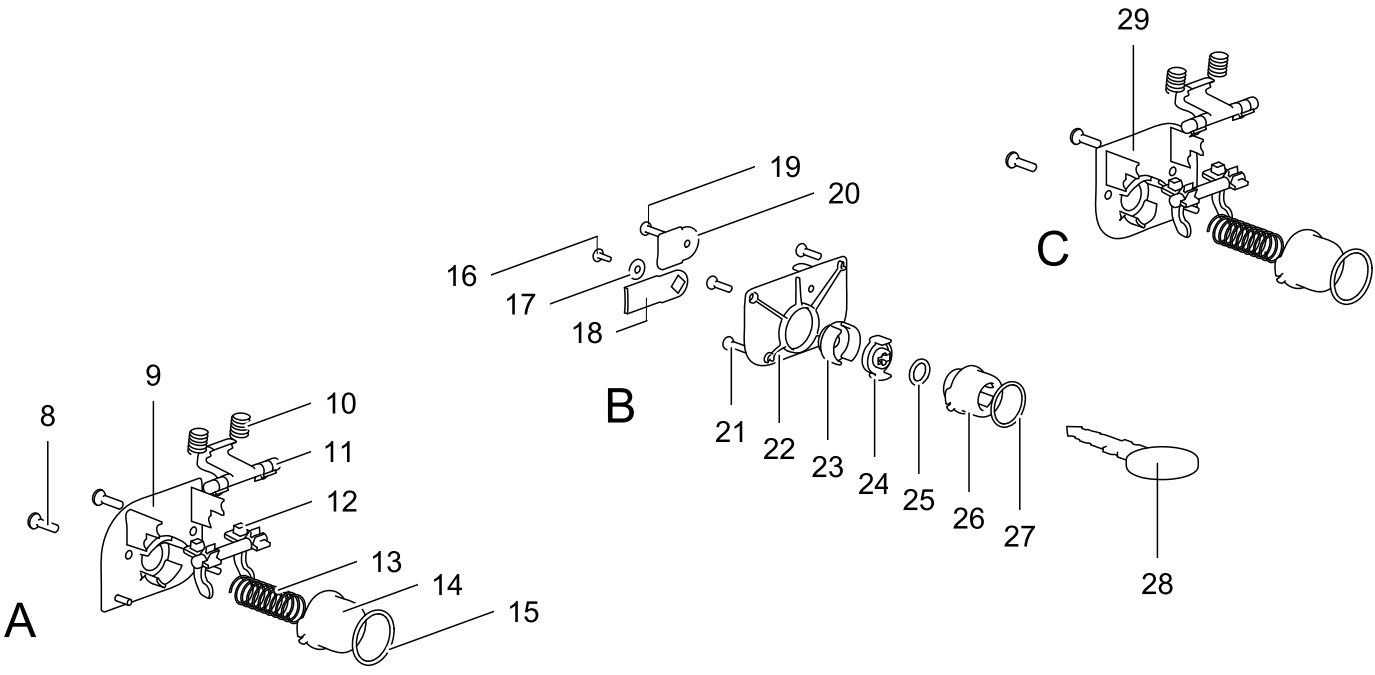
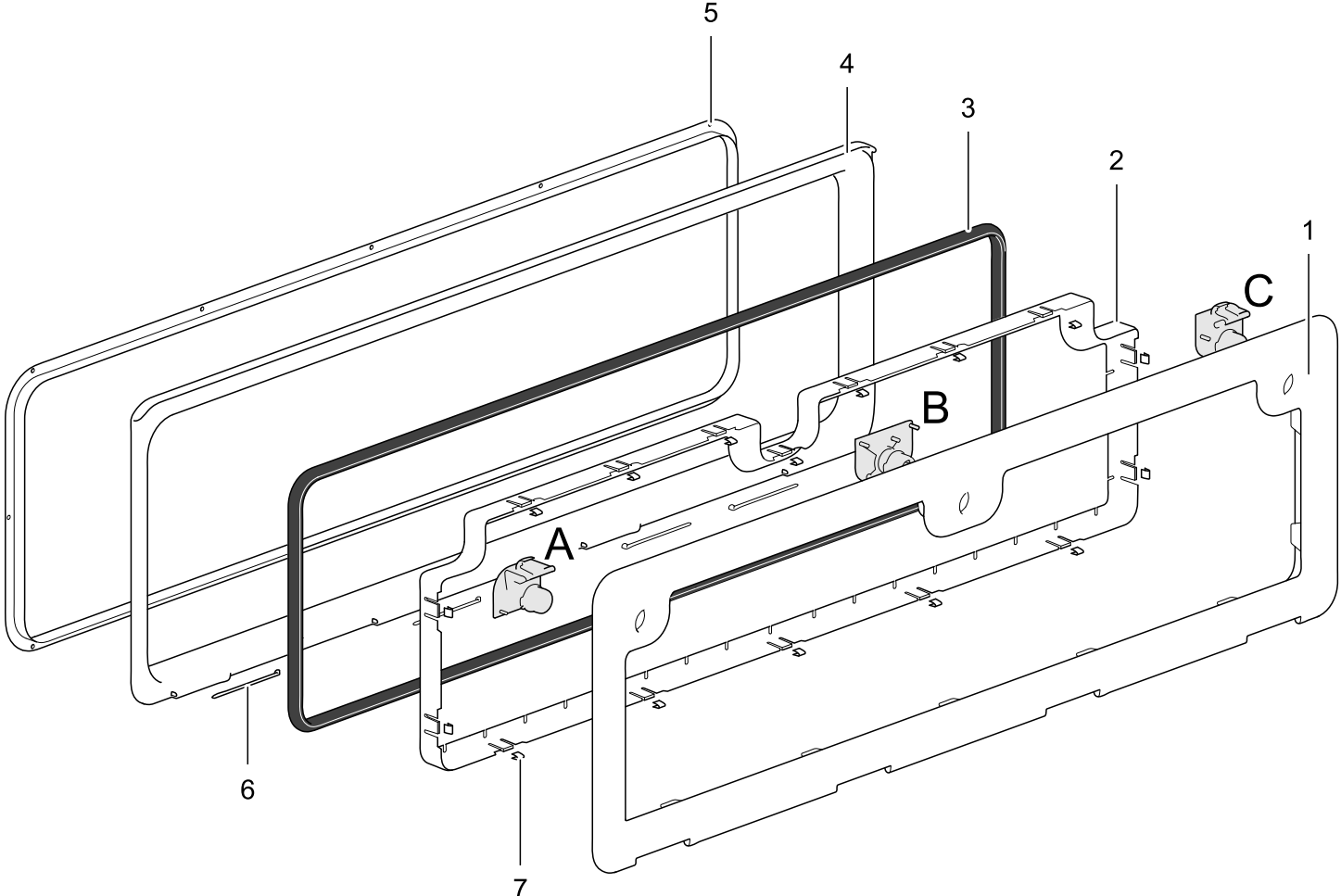
Flush door 5



Flush door 5

		Single spare part number	Assembly spare part number
1	Frame inner		
2	Hinge pin	26430	
3	Frame outer		
4	Door inner		
5	Door outer		
	Door seal	26917	

Service Door 7



Service door 7

	Single spare part number	Assembly spare part number
1	Door outer	
2	Door inner	
3	Door seal 7	26612
4	Frame outer	
5	Frame inner	
6	Hinge pin	26602
7	Door clip	
8	Screw	
9	Back plate right	
10	Spring	
11	Latch	
12	Lever door	
13	Spring	
14	Blank button	26603 (-57, 80, 84)
15	O-ring	
16	Screw	
17	Washe	
18	Latch	
19	Screw	
20	Latch bar	
21	Screw	
22	Back plate center	
23	Pawl extension	
24	Pawl	
25	O-ring	
26	Button	
27	O-ring	
28	Key	
29	Back plate left	

Lock Zadi 26604
Housing Fawo 1 26606
Housing Fawo 2 26608

All available in colour 57, 80 and 84.

Door 1-2-3-4-5-6 Parts – Ersatzteil – Pièces détachées – Onderdelen – Componenti – Componentes

GB	D	F	NL	I	ES
Hinge pin	Scharnierstift	Charnière de fixation	Scharnierpen	Perno della cerniera	Clavija de fijación bisagra
Frame outer	Türahmen	Cadre du portillon	Wandframe	Telaio esterno	Marco exterior
Door seal	Dichtung	Joint de cadre du portillon	Deurrubber	Guarnizione battuta sportello	Junta de puerta
Rope seal	Dichtung	Joint inférieur du portillon	Afdichting	Guarnizione sportello	Cuerda cierre
Door outer	Äussere Türe	Cadre extérieur du portillon	Deur	Sportello	Puerta exterior
Door inner	Innere Türe	Cadre de recouvrement	Opsluitframe deur	Telaio interno sportello	Puerta interior
Key eurolock	Schlüssel Eurolock	Clé Eurolock	Sleutel	Chiave Eurolocks	Llave
Lock door 1 compl.	Schloss Tür 1	Serrure portillon 1	Slot compleet	Serratura completa per sportello 1	Llave
Lock cover	Schloß abdeckung	Protection de serrure	Slotdop	Protezione serratura	Cerradura exterior
Frame sleeve	Distanzrahmen	Cadre d'habillage	Wandframe binnen	Controtelaio parete	Armazón funda
Triangle seal	Dichtung	Joint triangulaire	Afdichting	Guarnizione triangolare	Marco junta
Housing nut	Mutter	Écrou	Moer	Dado	Junta
Lock pawl	Riegel	Taquet	Slotpal	Nottolino	Tuerca
Latch	Schliessriegel	Gâche	Sluithaak	Chiusura a scatto	Pestillo
Spring	Feder	Ressort	Veer	Molla	Soporte
Button	Druckknopf	Bouton-poussoir	Drukknop	Pulsante	Muelle
Spring button	Feder	Ressort	Knopveer	Molla pulsante	Funda
O-ring	O-ring	Joint du bouton-poussoir	O-ring	Guarnizione O.R.	Muelle pulsador
Lever door	Riegel	Axe du mécanisme	Hefboom	Comando chiusura scatto	Junta
Back plate	Rückenplatte Schloss	Plaque arrière	Afdekkap	Plastra interna serratura	Cerradura
Key oberholz	Schlüssel Oberholz	Clé Oberholz	Sleutel	Chiave Oberholz	Llave universal
Key zadi	Schlüssel Zadi	Clé Zadi	Sleutel	Chiave Zadi	Llave
Push button	Druckknopf	Bouton-poussoir	Drukknop	Pulsante	Pulsador

Colourindex

	Code
56 Dark brown	P30782T
57 Cream white / Parchment	RAL 9001
58 Very dark grey	RAL 7015
80 White	BASF 31573
84 White grey	Fiat Bianca 210

WWW. THETFORD-EUROPE.COM / E-MAIL: INFO@THETFORD.NL

Thetford B.V.
Nijverheidsweg 29
4870 AD Etten-Leur
Nederland
Tel.: +31 (0)76-5042200
Fax: +31 (0)76-5042300

Thetford GmbH
Schallbruch 14
D-42781 Haan
Deutschland
Tel.: +49 (0)2129-94250
Fax: +49 (0)2129-942525

Thetford Ltd.
Unit 6
Centrovell Ind. Estate
Caldwell Road
Nuneaton, Warwickshire
CV11 4UD, England
Tel.: +44 (0)2476-322700
Fax: +44 (0)2476-322705

Thetford S.A.R.L.
Boîte Postale 204
95614 Cergy Pontoise Cedex
France
Tel.: +33 (0)1-30375823
Fax: +33 (0)1-30379767

Thetford B.V.
Repres. Office Scan.
Brodalsvägen 7
S-433 38 Partille
Sverige
Tel.: +46 (0)31-3363580
Fax: +46 (0)31-448570

Tecma srl-Thetford Italy
Via Flaminia
Loc. Castel delle Formiche
05030 Otricoli (TR)
Italy
Tel.: +39 (0)744-709071
Fax: +39 (0)744-719833

Mercè Grau-Sola
Agente para España y
Portugal
C/Llibertat, 103-105 Bajos
08800 Vilanova I la Geltru
Barcelona
España
Tel.: +34 (9)3815-4389
Fax: +34 (9)3815-6106

Copyright© 2003 Thetford B.V. All rights reserved.
Changes, printing, setting and translation mistakes excepted.
Date: April 2005